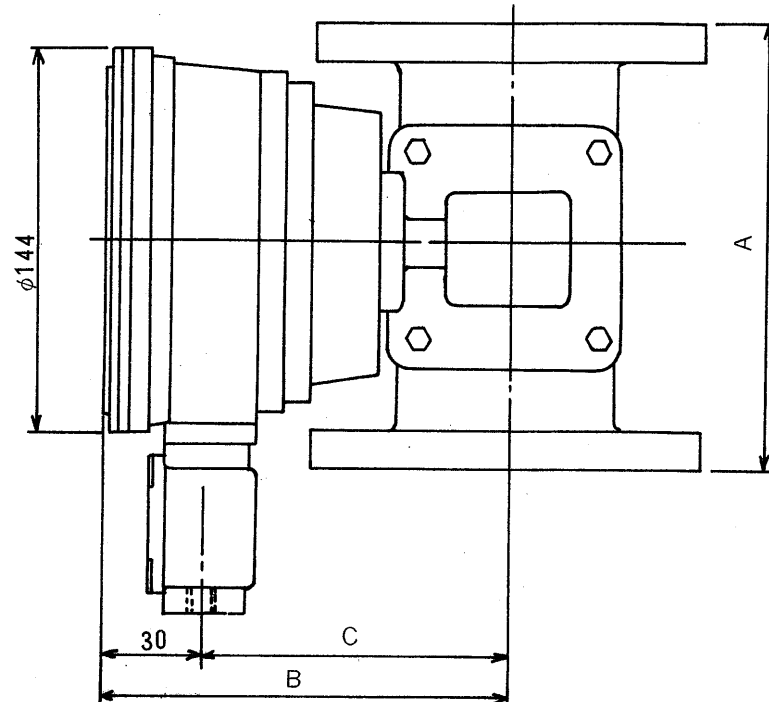
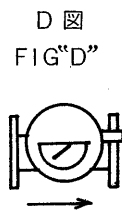
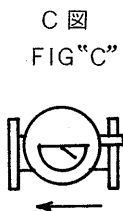


流れ方向
FLOW DIRECTION



TYPE	SIZE	A	B	C	D	E	F	N	d
44WS-40M	1 $\frac{1}{2}$ B (40A)	165	159	129	26	140	105	4	18
44WS-50M	2B (50A)	165	159	129	26	155	120	4	18
44WS-65M	2 $\frac{1}{2}$ B (65A)	165	188	158	42	175	140	4	18
44WS-75M	3B (80A)	165	188	158	46	185	150	8	18
44WS-100M	4B (100A)	240	188	158	61	210	175	8	18
44WS-25M	1B (25A)	165	159	129	26	125	90	4	M16